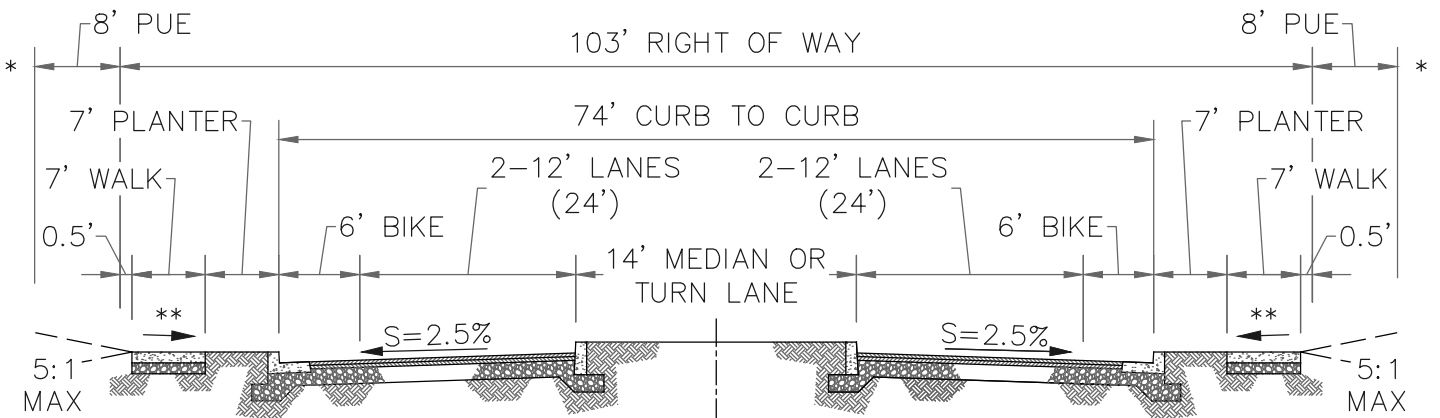


MINOR ARTERIAL 3-LANE STREET SECTION
 NO PARKING PERMITTED WITHIN THIS ROADWAY SECTION
 SCALE = N.T.S.



MAJOR ARTERIAL 5-LANE STREET SECTION
 NO PARKING PERMITTED WITHIN THIS ROADWAY SECTION
 SCALE = N.T.S.

- * SEE NOTE 4
- ** 2% MAX, SLOPE DOWN TOWARD STREET

NOTES:

1. PLANTER STRIPS ARE REQUIRED.
2. PAVED WIDTH AND PLANTER STRIP ARE MEASURED TO FACE OF CURB.
3. STREET TREES AND STREET LIGHTS ARE REQUIRED AND SHALL BE LOCATED WITHIN THE PLANTER STRIP.
4. MAX SLOPE BEYOND PUE IS 2:1.
5. ALONG COMMERCIAL ZONING FRONTAGE AND MAJOR TRANSIT STOPS, THE SIDEWALK AND PLANTER STRIP WIDTH MAY BE COMBINED TO PROVIDE SIDEWALKS AND STREET TREE WELLS.

**CITY OF HAPPY VALLEY
 ENGINEERING DIVISION**
 16000 SE MISTY DRIVE
 HAPPY VALLEY, OR 97086

DWG NO: 115	ARTERIAL STREET SECTIONS	
CITY ENGINEER CAROL EARLE, P.E.	DATE: 4/1/2019	REVISED BY: PCB/JHH