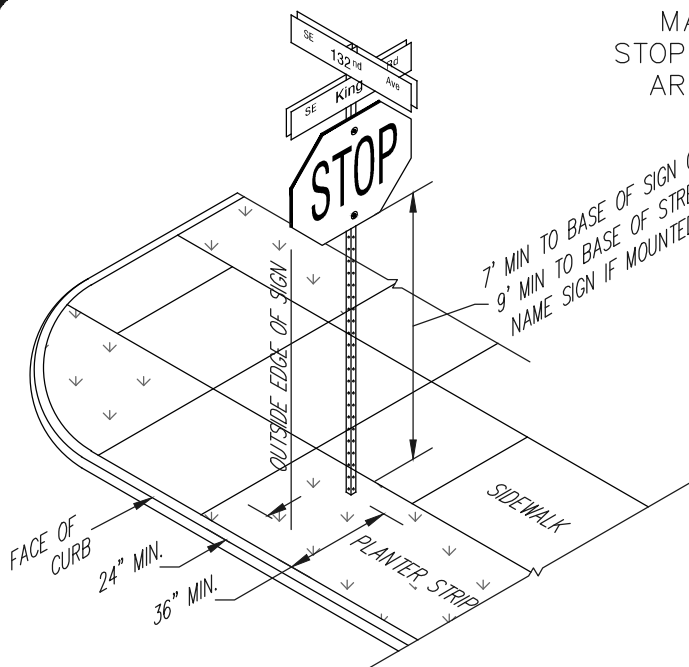
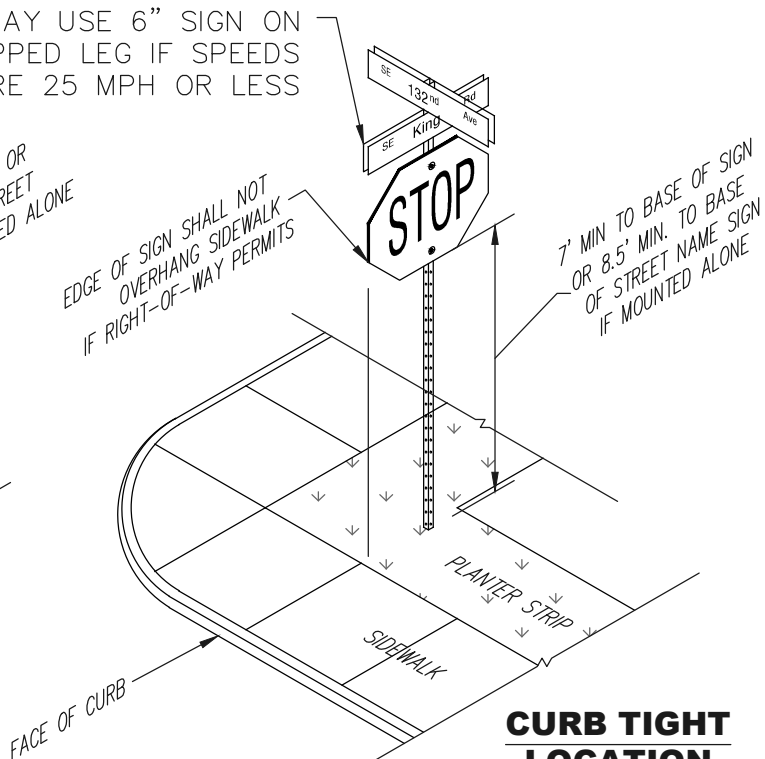


MAY USE 6" SIGN ON STOPPED LEG IF SPEEDS ARE 25 MPH OR LESS



PLANTER STRIP LOCATION

SCALE = N.T.S. (TYP.)



CURB TIGHT LOCATION

SCALE = N.T.S., TYP.

SQUARE SIGN SUPPORT ANCHOR TAPCO, V-LOC, MODEL 200-VS2 INSTALLED IN 3/4"-0" CRUSHED ROCK OUTSIDE OF CONCRETE AREA IF PLACEMENT IN CONCRETE IS NECESSARY CITY APPROVAL OF MOUNTING SYSTEM IS REQUIRED

PREDRILLING ON 1" CENTERS FOR RIVETING TO POST



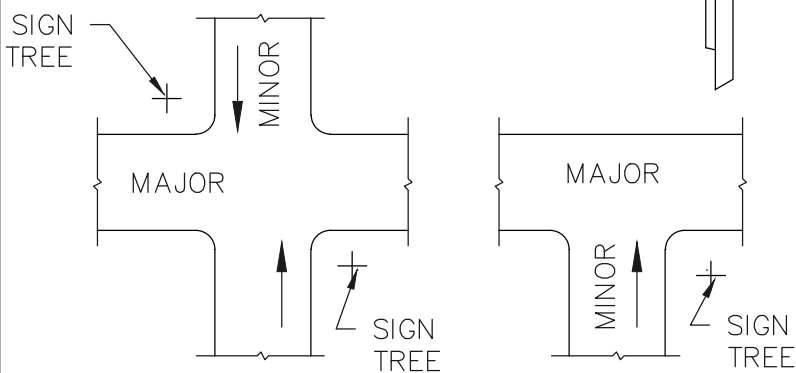
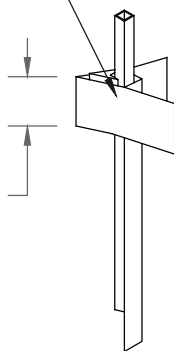
TYPICAL SIGN ATTACHMENT

GENERAL NOTES:

1. SIGNS SHALL BE AFFIXED TO SIGN POSTS USING ALUMINUM DRIVE RIVETS THAT LAY FLUSH WITH SIGN PANEL AFTER INSTALLATION.
2. NO PARKING SIGNS SHALL BE INSTALLED AT A 45 DEGREE ANGLE TO THE DIRECTION OF TRAFFIC.
3. A 2"X2" GA GALVANIZED "UNISTRUT TELESAR" OR 12 GA PERFORATED POSTS OR APPROVED EQUIVALENT SHALL BE USED. SIGN COMBINATION AND MINIMUM SIGN MOUNTING HEIGHT SHALL DETERMINE POST LENGTH.
4. SEE ADDITIONAL SIGNAGE NOTES AND REQUIREMENTS ON DWG NO. 305.

SIGN POST ANCHOR

5" MIN. IMBEDMENT



CROSS INTERSECTION TEE INTERSECTION

TYPICAL STREET SIGN LOCATIONS



**CITY OF HAPPY VALLEY
ENGINEERING DIVISION**
16000 SE MISTY DRIVE
HAPPY VALLEY, OR 97086

DWG NO: 300

CITY ENGINEER
CAROL EARLE, P.E.

STREET SIGNING

DATE: 4/1/2019

REVISED BY: PCB/JHH