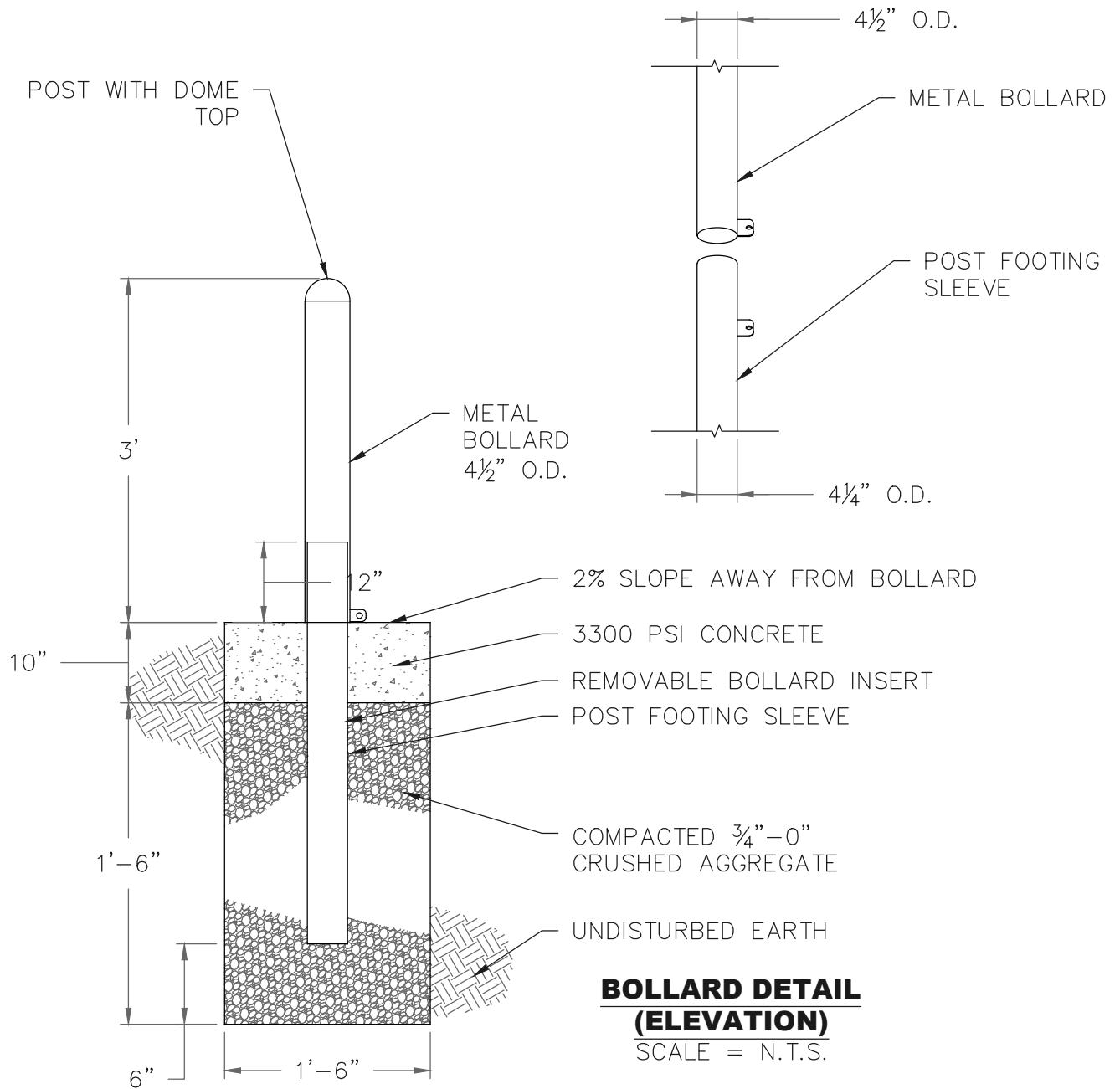


**BOLLARD SLEEVE & POST DETAIL  
(CROSS-SECTION VIEW)**

SCALE = N.T.S.



NOTES:

1. DECORATIVE STANDARD BOLLARD MAY BE USED IF PRE-APPROVED BY CITY.
2. BOLLARD TO BE POWDER COATED BLACK OR DARK GREEN.



**CITY OF HAPPY VALLEY  
ENGINEERING DIVISION**  
16000 SE MISTY DRIVE  
HAPPY VALLEY, OR 97086

**DWG NO: 410**

CITY ENGINEER  
CAROL EARLE, P.E.

**BOLLARDS**

DATE: 4/1/2019

REVISED BY: PCB/JHH